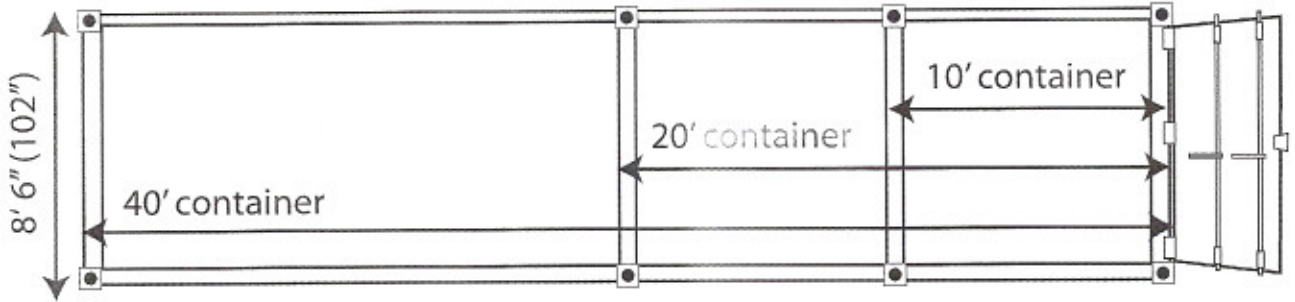
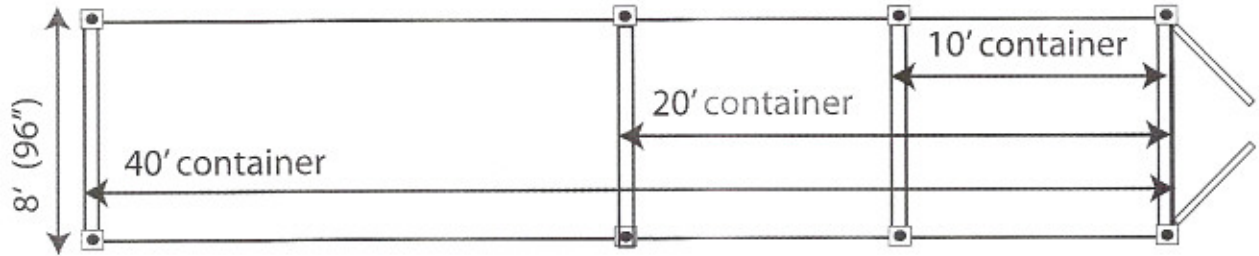


# Storage Container Specifications

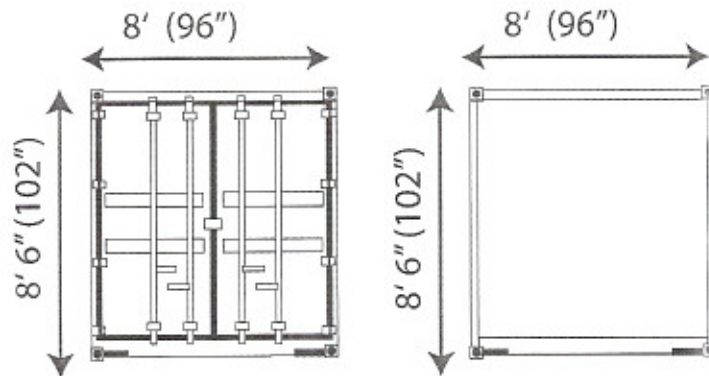
## SIDE VIEW



## TOP VIEW



## END VIEWS



### Storage Containers

- Length: , 20', or 40'
- Height: 8' 6"
- Width: 8'
- Tare Weight\*:
  - 20': 5,015 lbs.
  - 40': 8,377 lbs.
- Flooring: 1 1/16" marine grade plywood
- Corrugated steel sides/ end walls
- Watertight gaskets around cargo doors
- Entry will accommodate pallet loading/unloading

\*Specifications may vary depending upon manufacturer and year.